

Electrical

Electrical supply: 110-120 V AC, 60 Hz
 Rated power: 1400 W
 Motor type: Dyson digital motor. Switched reluctance brushless
 Motor speed: 81,000 rpm
 Heater type: None
 Standby power consumption: 1 W
 Energy consumption per dry: 0.00468 kwh

Construction

Die-cast aluminum casing with anti-microbial scuff resistant lacquer coating on exterior surfaces
 Color finish: Silver, gloss lacquer
 Light reflective value: 39.9
 Anti-microbially integrated external plastics and seals
 Pressed anti-rust steel backplate
 Tamper-proof T30 type exterior screws
 Water ingress protection to IPX 5

Filtration

Anti-microbial HEPA filter
 Particulate removal tested to 99.5% at 0.15 μ MPPS according to EN1822
 Bacteria removal 99.9%

Operation

Touch-free infra-red activation
 Hand dry time: 12 seconds (measured to method defined by National Sanitation Foundation protocol P335)
 Airspeed at apertures: 400 mph
 Operating airflow: 66 CFM
 Rated operating noise power: 84 db(A)

Logistics

Single unit order code: 13043-01
 Unit weight: 34.2 lb
 Packaged weight: 39.7 lb
 Packaged dimensions: 28.7" × 14.1" × 11.9"
 Pallet count: 13
 Pallet type: US
 Unit barcode: 879957001275

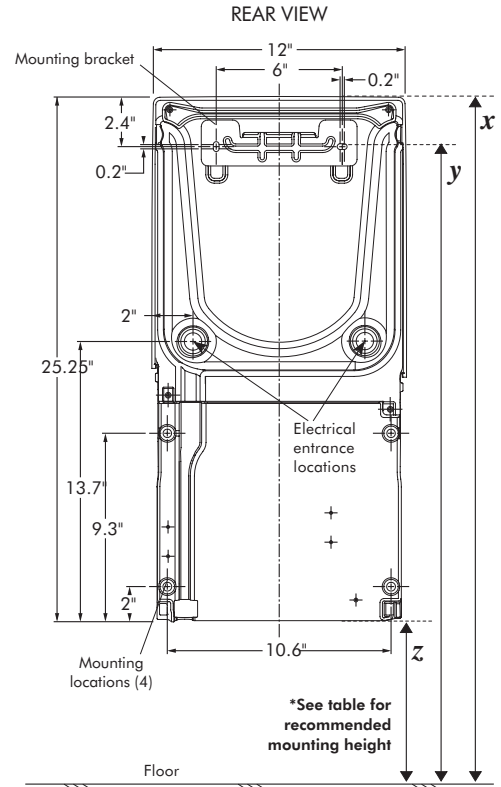
Standard warranty

5 year parts, 1st year labor limited

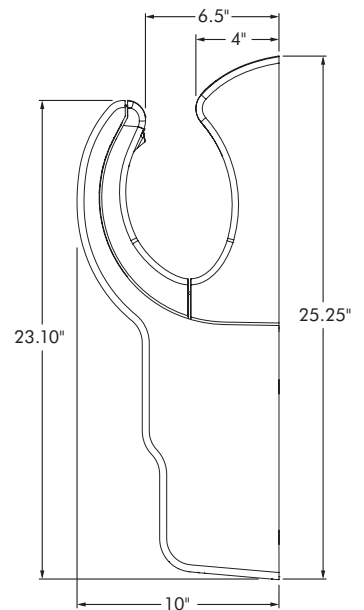
Product Certification

ETL listed in accordance with UL 507
 ADA Compliant
 HACCP Certified

*Recommended installation heights measured from floor	Male	Female	Child or Disabled
x To top of machine	41.25"	38.25"	34.25"
y To mounting bracket screw	39.0"	36.0"	32.0"
z To bottom of machine	16.0"	13.0"	9.0"



SIDE VIEW



Electrical

Electrical supply: 208 V AC, 60 Hz
 Rated power: 1600 W
 Motor type: Dyson digital motor. Switched reluctance brushless
 Motor speed: 88,000 rpm
 Heater type: None
 Standby power consumption: 1 W
 Energy consumption per dry: 0.0044 kWh

Construction

Die-cast aluminum casing with anti-microbial scuff resistant lacquer coating on exterior surfaces
 Color finish: Silver, gloss lacquer
 Light reflective value: 39.9
 Anti-microbially integrated external plastics and seals
 Pressed anti-rust steel back plate / mounting bracket
 Tamper-proof T30 type exterior screws
 Water ingress protection to IPX 5

Filtration

Anti-microbial HEPA filter
 Particulate removal tested to 99.5% at 0.15 μ MPPS according to EN1822
 Bacteria removal 99.9%

Operation

Touch-free infra-red activation
 Hand dry time: 10 seconds (measured to method defined by National Sanitation Foundation protocol P335)
 Airspeed at apertures: 400 mph
 Operating airflow: 74 CFM
 Rated operating noise power: 87 dB(A)

Logistics

Single unit order code: 14645-01
 Unit weight: 34.2 lb
 Packaged weight: 39.7 lb
 Packaged dimensions: 28.7" \times 14.1" \times 11.9"
 Pallet count: 13
 Pallet type: US
 Unit barcode: 879957001848

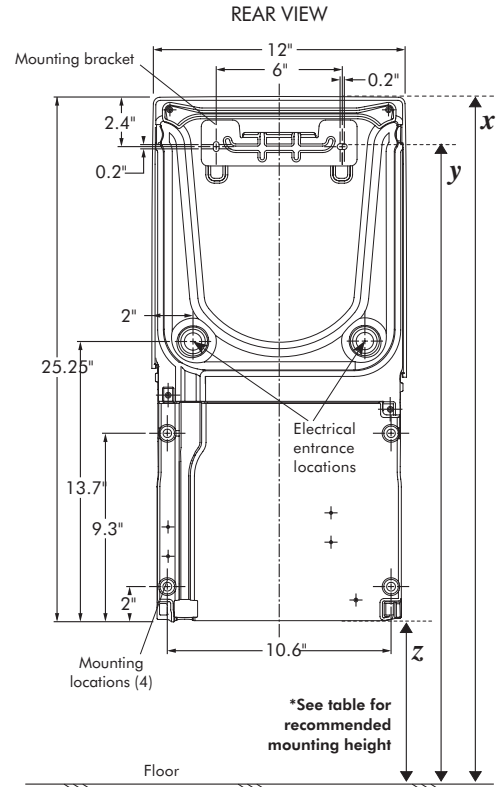
Standard warranty

5 year parts, 1st year labor limited

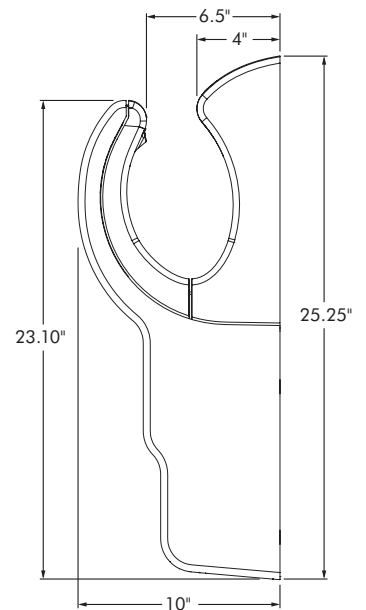
Product Certification

ETL listed in accordance with UL 507
 ADA Compliant
 HACCP Certified

*Recommended installation heights measured from floor	Male	Female	Child or Disabled
x To top of machine	41.25"	38.25"	34.25"
y To mounting bracket screw	39.0"	36.0"	32.0"
z To bottom of machine	16.0"	13.0"	9.0"



SIDE VIEW



Electrical

Electrical supply: 110-120 V AC, 60 Hz
 Rated power: 1400 W
 Motor type: Dyson digital motor. Switched reluctance brushless
 Motor speed: 81,000 rpm
 Heater type: None
 Standby power consumption: 1 W
 Energy consumption per dry: 0.00468 kwh

Construction

Polycarbonate- ABS casing with homogenous antimicrobial additive in all external surfaces
 Color finish: Gray or white
 Light reflective value: 28.3 (gray); 77.4 (white)
 Anti-microbially integrated external plastics and seals
 Galvanized steel back plate / mounting bracket
 Tamper-proof T30 type exterior screws
 Water ingress protection to IPX 5

Filtration

Anti-microbial HEPA filter
 Particulate removal tested to 99.5% at 0.15 μ MPPS according to EN1822
 Bacteria removal 99.9%

Operation

Touch-free infra-red activation
 Hand dry time: 12 seconds (measured to method defined by National Sanitation Foundation protocol P335)
 Airspeed at apertures: 400 mph
 Operating airflow: 66 CFM
 Rated operating noise power: 88 db(A)

Logistics

Single unit order code: 14225-01 (gray); 19808-01 (white)
 Unit weight: 22 lb
 Packaged weight: 28.7 lb
 Packaged dimensions: 28.7" \times 14.1" \times 11.9"
 Pallet count: 13
 Pallet type: US
 Unit barcode: 879957002210 (gray); 879957003989 (white)

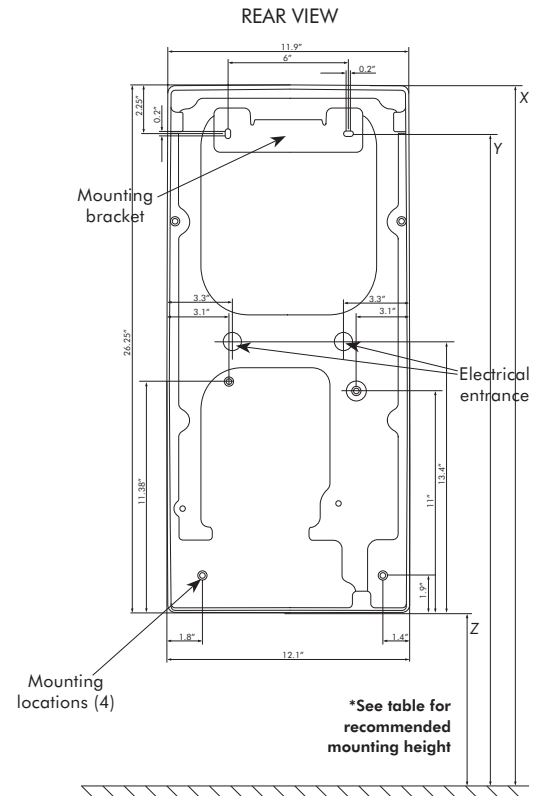
Standard warranty

5 year parts, 1st year labor limited

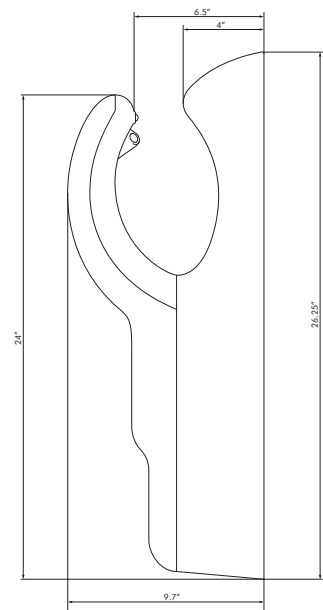
Product Certification

ETL listed in accordance with UL 507
 ADA Compliant

*Recommended installation heights measured from floor	Male	Female	Child or Disabled
x To top of machine	41.25"	38.25"	34.25"
y To mounting bracket screw	39.0"	36.0"	32.0"
z To bottom of machine	15.0"	12.0"	8.0"

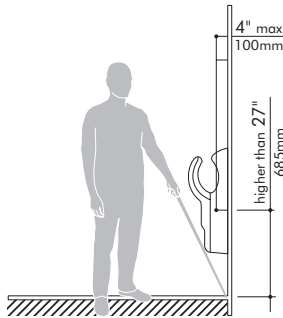


SIDE VIEW



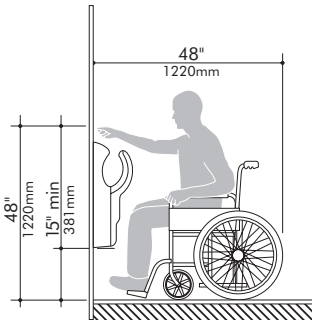
Mobility access within washroom facilities

The Americans with Disabilities Act (ADA) defines the accessible requirements for the design and construction of washroom spaces in the United States.* Detailed below are examples of the installation requirements for hand dryers. The Dyson Airblade™ hand dryer (AB02, AB04) has been designed to comply with these recommendations.



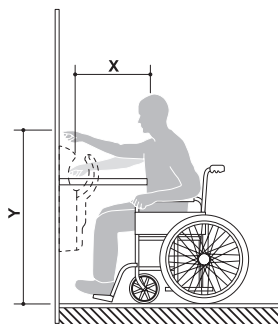
Clearance for wall-mounted protruding objects

Objects that protrude beyond 4" (100mm) from the wall must be mounted so that part of the object is below 27" (685mm) from the floor in order to overlap the cane detection range specified by ADA standards.



Forward reach:

Maximum high forward reach allowed shall be: 48" (1220mm)
Minimum low forward reach allowed shall be: 15" (381mm)



Forward reach over an obstruction:

When the reach x is less than 20" (510mm) then the maximum height y shall be 48" (1220mm) maximum.

US09003 01.14.09 © 2009 Dyson



*Source: ADA Accessibility Guidelines for Buildings and Facilities (ADAAG), Section 4. Accessible Elements and Spaces: Scope and Technical Requirements.