

SMARTdri™ Hand Dryer

SMARTdri™ Hand Dryer

High-Efficiency Intelligent Hand Dryer

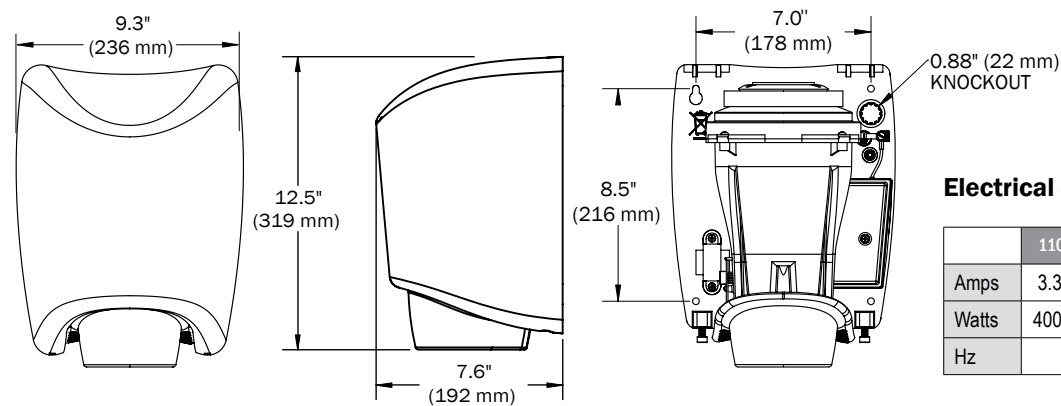


Superior Design Enhances Décor

Contemporary stylish design in 8 finishes will enhance the image and coordinate with your washroom décor.



Specifications



Electrical Specifications

	110-120 V	208-240 V	220-240 V
Amps	3.3 - 10.0	1.8 - 5.2	1.7 - 5.0
Watts	400 - 1200	425 - 1250	400 - 1200
Hz	60	60	50

Cover Material	Cover Finish / Kit	110-120 V	208 - 240 V (60Hz)	220 - 240 V (50Hz)	Unit Weight	Unit Size (HxWxD) inch/mm	Shipping Size (HxWxD) inch/mm
Aluminum	White	# K-974	# K4-974	# K48-974	11.6 lbs/5.2 kgs	12.5" x 9.3" x 7.6" 319 x 236 x 192	14.7" x 11.4" x 10.8" 375 x 290 x 275
Aluminum	Polished Chrome	# K-970	# K4-970	# K48-970	11.6 lbs/5.2 kgs	12.5" x 9.3" x 7.6" 319 x 236 x 192	14.7" x 11.4" x 10.8" 375 x 290 x 275
Aluminum	Brushed Chrome	# K-971	# K4-971	# K48-971	11.6 lbs/5.2 kgs	12.5" x 9.3" x 7.6" 319 x 236 x 192	14.7" x 11.4" x 10.8" 375 x 290 x 275
Aluminum	Black	# K-162	# K4-162	# K48-162	11.6 lbs/5.2 kgs	12.5" x 9.3" x 7.6" 319 x 236 x 192	14.7" x 11.4" x 10.8" 375 x 290 x 275
Cast Iron	White	# K-976	# K4-976	# K48-976	22.0 lbs/9.9 kgs	12.5" x 9.3" x 7.6" 319 x 236 x 192	14.7" x 11.4" x 10.8" 375 x 290 x 275
Steel	White	# K-975	# K4-975	# K48-975	14.2 lbs/6.4 kgs	12.5" x 9.3" x 7.6" 319 x 236 x 192	14.7" x 11.4" x 10.8" 375 x 290 x 275
Stainless Steel	Polished	# K-972	# K4-972	# K48-972	14.2 lbs/6.4 kgs	12.5" x 9.3" x 7.6" 319 x 236 x 192	14.7" x 11.4" x 10.8" 375 x 290 x 275
Stainless Steel	Brushed	# K-973	# K4-973	# K48-973	14.2 lbs/6.4 kgs	12.5" x 9.3" x 7.6" 319 x 236 x 192	14.7" x 11.4" x 10.8" 375 x 290 x 275
Stainless Steel	Recess Kit	KKR-973			9.8 lbs/ 4.4 kgs	25.0" x 15.0" x 4.0" 635 x 381 x 102	30" x 15" x 7.88" 760 x 380 x 200



- Flexible Intelligent Options
- Fastest Dry Time
- Best Cost-in-Use
- Extremely Energy Efficient
- Most Powerful Air Performance



5700 McDermott Drive, Berkeley, IL 60163
 Tel: (800) 323-0701, (708) 449-6950
 Fax: (708) 449-6958
 www.worlddryer.com

92-MT037 Rev03

Distributor

SMARTdri™ Hand Dryer



SMARTdri™ is the most energy efficient, fastest and hygienic hand dryer. SMARTdri is “best of the best” and designed to optimize dry time, energy consumption and sound quality. The intelligent, flexible controls allow customizing air flow, sound quality and heating options to fit any application environment.

✓ Most Powerful Air Performance

Combining high air velocity and air flow

10 dry time
second | **3X** than traditional dryers
faster



Why Choose Hand Dryers?

Best Cost Savings

- 99% Savings compared to the cost of paper towels

Lowest Maintenance

- No purchasing or stocking of paper towels
- No overflowing trash cans to empty
- No fear of running out of paper towels
- No paper towels clogging your toilets

BEST

✓ Extremely Energy Efficient

- Lowest energy consumption in all classes
- Uses only 12% energy of traditional dryer
- Uses only 40%-60% energy of competitive high speed dryers

Power Consumption	SMARTdri			Traditional	Competitor
	Low	Med	High		
Heat ON	800 W	1000 W	1200 W	2300 W	1500 W
Heat OFF	400W	600 W	800 W		

✓ Best Cost-in-Use

99% savings over the cost of paper towels

99%+
savings

✓ “Best of the Best”

Longest brush life in high-speed dryers

- Average 720,000+ uses (approximately 10 years @ 200 uses/day)

Most hygienic

- Epoxy painted covers and air flow path infused with SteriTouch® antimicrobial technology
- Automatic operation promotes hand hygiene

Improved sound level and quality • **Durable and vandal resistant**

Superior reliability and quality • **Modular design, ease of servicing**



✓ Intelligent . Flexible

Accommodates all application environments

3-Speed motor controls

- High - Fastest, for high volume facilities
- Low - Quiet, for low traffic environments

ON/OFF heating options

Selectable options for user comfort

- ON - Cold climate
- OFF - Warm climate



More Hygienic

- Reduces growth of bacteria, mold and fungi
- No messy paper towels littering floor
- Automatic activation prevents cross contamination

Environmentally Friendly

- Protects environment
- Saves Trees
- Reduces waste in landfills
- Supports green buildings to earn LEED credits